

Fitting instruction:

1. Disassemble the rear-light units, the bumper and metal reinforcement (reinforcement will not be reinstall).
2. Instead of metal reinforcement fix main bar of the towbar using four bolts M10x1,25x35 (pos. A) and two bolts M10x35.
3. From inside of frame holes (pos. E) enlarge using bit $\varnothing 20\text{mm}$
4. Fix side outrigger (pos. 3 i 4):
 - to the bar by bolts M12x45 (pos. 13) instaled angle (pos. 5 i 6) w upper hole
 - through hole B by bolt M12x45 and through hole C by bolt M12x65 (aby fix the fish-plate wiht nut (pos. 8) *should be* removeplastic square plugs in the frame)
 - through hole D by bolts M10x35
 - through hole E by bolts M12x140 putting the sleeve (poz. 9) in the frame
5. Fix tow-ball (pos. 2) using bolts M16x55mm (pos.10) from accessories
6. Tighten all bolts according to the torque shown in the table.
7. Fit electric according to the instruction of the car.
8. Fit the bumper.

Remarks:

1. Isolating mass in the adhesion spot of the hook shall be removed.
2. After the assembly refresh the paint coat of the hook.
3. Once the hook is assembled, it is necessary to gain an entry in the registration book from the vehicle control station.
4. All the defects in the paint coat of the vehicle shall be corrosion protected.
5. After 1000km all the screws and nuts shall be tightened.
6. The hook ball must be clean and maintained with a grease.
7. It is unacceptable to introduce any changes into the hook construction.

Towing hitch equipment:

Pos.	Teil name	PCS.	Pos.	Teil name	PCS.
1	Bar	1	16	Bolt M10x1,25x35-8.8	4
2	Ball	1	17	Self-locking nut M16	2
3	Right outrigger	1	18	Nut M12	4
4	Left outrigger	1	19	Nut M10	4
5	Right angle	1	20	Nut M6	2
6	Left angle	1	21	Plain washer 16,5	2
7	Square washers 40x40x20	1	22	Plain washer 12,5	8
8	Fish-plate with nut	2	23	Plain washer 6,2	2
9	Sleeve $\varnothing 20 \times 93$	2	24	P 12x34	2
10	Bolt M16x55-8.8	2	25	Podkładka powiększana 10x28	10
11	Bolt M12x140-8.8	2	26	Spring washer 12,2	8
12	Bolt M12x65-8.8	1	27	Spring washer 10,2	8
13	Bolt M12x45-8.8	1	28	Spring washer 6,2	2
14	Bolt M12x35-8.8	4	29	Ball cover	1
15	Bolt M10x35-8.8	4			

The recommended momentum for screws and nuts [Nm]						
Class of strength	M6	M8	M10	M12	M14	M16
8.8	11	24	46	80	125	190
10.9	16	35	67	115	183	275

Guarantee

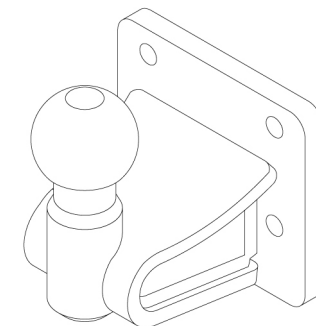
1. The Manufacturer gives a 24-month guarantee dated from the purchase.
2. The guarantee covers the quality defects resulting from the manufacturer's fault.
3. The product damaged due to wrong maintenance and usage, or due to normal wear shall not be subject to guarantee claim.
4. The defected product can be exchanged either at the purchase place or by the manufacturer directly.
5. Only the filled in card entitles to the guarantee rights.

Car towing hitch for:

Manufacturer:	Fiat/Citroen/Peugeot
Model:	Ducato/Boxer/Jumper
Type:	Metal built-up since 2006
Catalog no.	3002033
Registration number of the vehicle:	
Date of hook production:	
Date of hook purchase:	
Date of claim:	

MASTER HAK s.c.

Rogalin ul. Jesionowa 4
62-022 Świątniki
Tel. +48 61 813 83 52
Fax. +48 61 893 87 44
<http://www.masterhak.com.pl>
e-mail: biuro@masterhak.com.pl



Assembly and exploitation instruction for the towing hitch

Designed for:	
Manufacturer:	Fiat/Citroen/Peugeot
Model:	Ducato/Boxer/Jumper
Production	since 2006
Type:	metal built-up
Catalog no. :	3002033
Classa:	A50-X
Approval number acc. to Directive 94/20/WE:	e20*94/20*0957*00

Technical data:

D-Force value:	16,9 kN
Max. trailer weight:	3000 kg
Max. ball pressure:	150 kg

General directions:

The authoritative information regarding the trailer towing are the data given by the vehicle manufacturer, regarding the fact that the tow hook parameters cannot be exceeded. The hook assembly spots given by the vehicle manufacturer are preserved. The towing hitch is a product influencing the driving safety and must be assembled by a specialized staff. Isolating mass in the adhesion spot of the hook shall be removed, and the drilled holes shall be covered with an anti corrosive paint.

Formula for force D calculation:

$$\frac{\text{Max. trailer weight [kg]} \times \text{Max. vehicle weight [kg]}}{\text{Max. trailer weight [kg]} + \text{Max. vehicle weight [kg]}} \times \frac{9,81}{1000} = D$$